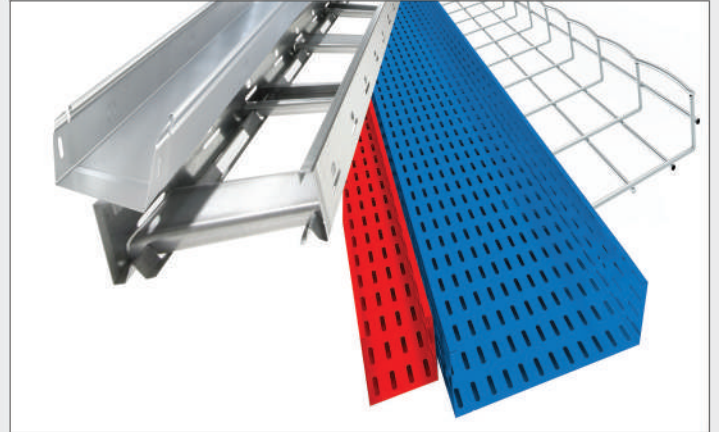
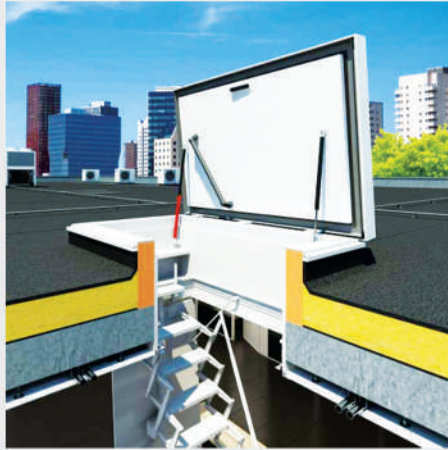
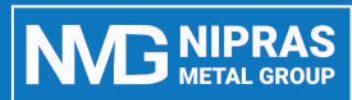




شركة نبراس المعدن للصناعة  
NIPRAS METAL INDUSTRY Co.



# METAL & STEEL SOLUTIONS





## شركة نبراس المعدن للصناعة NIPRAS METAL INDUSTRY Co.

### Introduction

Nipras Metal Industry Co. for metal industries was established in the year 2010 and is primarily engaged in manufacturing and supervision of metal and steel construction products.

NMIC products reflects its commitment to high standards of quality, safety, consistency, and accurate measures. In this fast-growing manufacturing industry, NMIC has always maintained its standards locally and globally.

Our vision is to stand out and be unique in architectural and industrial products with high durability, strength, quality, safety, and efficiency. NMIC enables you to efficiently fix, protect and install your products & needs. All products are fabricated and manufactured using high quality material that meets the toughest industry standards.

Our mission is to develop effective solutions for all Architectural and industrial needs.



### Our Strength Factors

#### 1. Accountability

We accept responsibility for our work products and services. Upholding the highest standards evaluating for measuring our results against stated performance for our work with relevance, credibility and timelessness.

#### 2. Teamwork

Our success depends on working together and fostering an inclusive and mutually supportive environment.

Our work-friendly for environment encourages collaboration, innovation, flexibility and figure the integration of resources.

#### 3. Communication

We clarify expectations up front and communicate openly, honestly and accurately. We look for ways to improve our ways and for our work products by seeking giving and use both praise and constructive feedback.

#### 4. Respect

We promote diversity and equal opportunity throughout other organizations. We value and respect the views of our clients.



# ENVIRONMENT



NIPRAS understands the nature of the relationship between corporate adoption of the concept of societal responsibility [availability of environmental awareness, clear vision of the impact of social responsibility on financial performance, managers informing employees of the latest developments in societal responsibility programs, managers' response to their corporate social responsibility (CSR) proposals] in the form of an annual report that supports the success of the company's objectives, the company's management encourages employees to participate collectively in societal responsibility programs and to protect the environment from pollution in the industry.



CUSTOMERS



CIVIL SOCIETY



ENVIRONMENT



EMPLOYEES





"NIPRAS" as a manufacturing Company for Metal & Steel Products has a large number of hazards because of the strong internal as well as external forward and backward linkages in terms of material flows. Employees are to work in hazardous environment because of complicated equipment layouts, high temperatures, heavy equipment's, moving machinery, hazardous processes, heavy lifting and movements of materials in the work environment ETC. Further, several operations involve working at heights or in confined spaces. In short, working involves both very high volume as well as the complexity of operations which results into employees getting exposed to a high level of health and safety risks. The health, safety, and protection of our employees, equipment, and the environment are perfectly calculated and implied as a crucial since it affects both economic and social factors.. On the other hand,



HEALTH

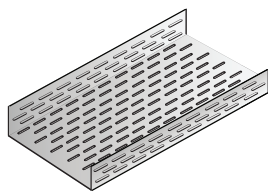


SAFETY

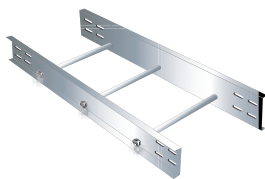


# Cable Management System

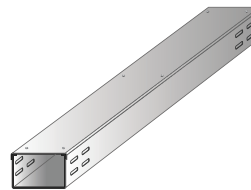
There are a wide variety of containment systems available to organize and store cables within an installation. They tend not to be used exclusively for a particular type of wiring system, and the containment system chosen is often as much decided by the budget and practical considerations of the building it is being installed in as the cabling type itself.



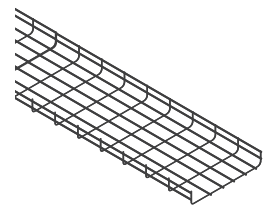
Cable Tray



Cable Ladder



Cable Trunk



Basket Tray

Nipras Metal Industry Co. manufacture complete range of cable management systems for any installation large stock of standard cable trunking, tray and basket bespoke one off solutions designed and manufactured in house taking note all of international & GCC standards.



# Roof Access Hatch

NMG provides access to your roof with safe and secure Roof Access Hatch. Roof hatch can be used for personal access or equipment access. With respect to the industry standards NMG has the capability to produce roof hatch in custom size and standard sizes.

Our roof hatch differs from other roof hatches with more durability, strength, and perfect quality.

## Technical Specifications.

Curb: 14GA steel (standard) 2mm  
4mm aluminum (optional)

1" rigid insulation R7.2

Cover: 14GA galvanized steel with 22GA galvanized steel liner (standard)  
4mm aluminum cover with 0.040" aluminum liner (optional)

Gasket: EPDM rubber gasket secured to the lid

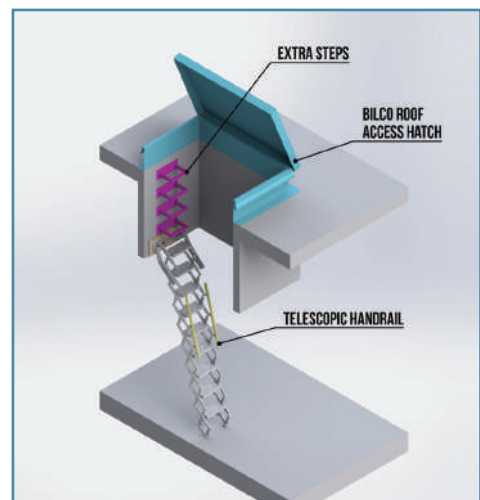
Hinge: 12GA galvanized steel / stainless steel hinges

Grasp: inside grasp handle to assist in closing

Lifting mechanism: gas strut, Gas spring

Finish: Galvanized, powder coating, mill finish, and primer coat

Warranty: 5 years



## Accessories

1. Ladder Up Safety Post
2. Safety Rail
3. Fixed Ladder





# Garbage And Linen Chute System

Chutes from NMG are very convenient, simple, and low-cost method of controlling and disposing of refuse and linen.

Chutes meet the most stringent requirements of environmental health and safety. Chutes are used as original equipment in new buildings, such as: Hotels, Hospitals, High Rises and Residential Towers.

NMG refuse chutes can be fixed externally to most types of building, particularly useful when a refuse chute must be provided after the building has been finished or where it is not possible to replace in the same location. External refuse chutes can be single or double skinned. Please contact our technical department for further advice.

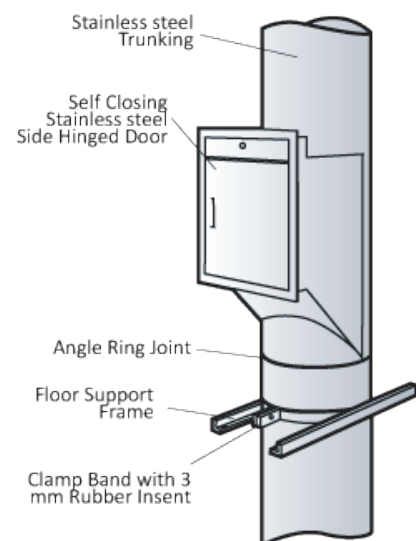
NMG provides a comprehensive range of refuse chutes, both in size and material choice.

The choice of materials to be used are covered thoroughly elsewhere, the choice of refuse chute diameter is shown on this page.

However, we strongly recommend the use of 600 mm diameter chutes, as in practical terms this diameter is the least likely to cause any long-term problems.

## Parts and Accessories of a Typical Garbage or linen Chute system

1. Chute
2. Intake door
3. Throat
4. Floor frame
5. Discharge door
6. Discharge opening
7. Automatic sprinkler
8. Join





# Handrails

A hollow metal bar extending from one end to another fixed on a post or wall for people to hold for support. It is a part of a staircase people use for going up or coming down.

Handrails are made of stainless steel and galvanized steel pipes or tubes. NMG has the potential to select the best material which suits the toughest industrial standards.

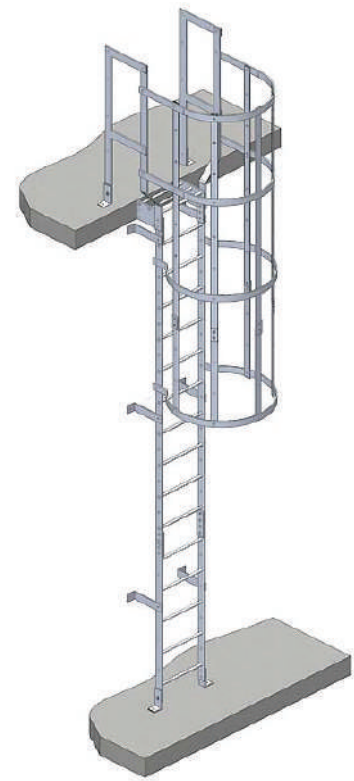
## Common Parts, Accessories & Basic Standards of A Handrail

A Handrail consists of an end post, intermediate post, end caps, baseplates, baseplate covers, joiners, and rail supports. By combining these parts with suitable material, we can produce beautiful designs.

Handrail designs are







# Ladders

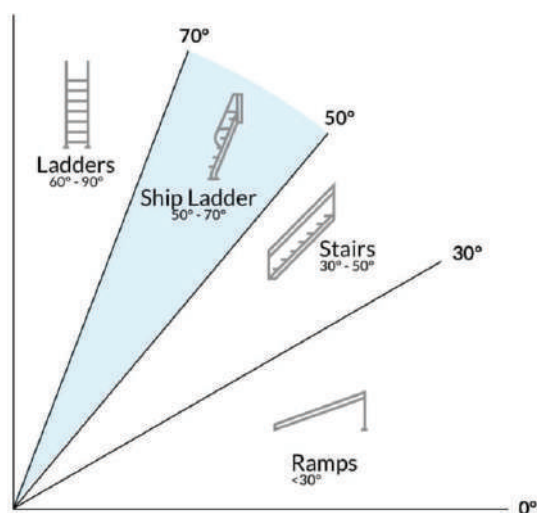
Ladder is an essential equipment made from steel tubes and pipes, used in almost every field. Ladder can be used for construction, residential use, heavy duty works involving certain heights etc.,

Ladders can be fixed to a wall or rail, cage ladder, cat ladder, extendable ladder, or channel ladders are some of the common types of ladders used

## Common Parts, Accessories And Basic Standards Of A Ladder

NMG produces some of the finest ladders in the market which suits all your needs.

Most common parts for a ladder can be a Rail, Rung, safety foot and bracket to fix on the wall. Ladder rung can be made of tube or pipe. Ladder brackets are used to secure the ladder on the roof or wall.





# Lockers

Lockers are small lockable cupboard or compartment, typically as one of a number placed together for public use, for example. In Schools, Gyms, Railways etc.,

Lockers are small lockable cupboard or compartment, typically as one of a number placed together for public use, for example. In Schools, Gyms, Railways etc.,

## Standard Gauges:

Locker frame shall be 16 gauge, shelves and bodies shall be 24 gauge. Heavy gauge lockers are also available upon request.

NMG lockers are resistance welded on all 4 corners to form a rigid structure, each frame consists of 11-gauge hasp welded to it.

Accessories includes, SS304 hinges, handles, locks, and tag plates.





# Steel Bollards

Safety steel bollards can refer to a variety of steel uprights and metal products. They often provide protection from vehicles in addition to segregating walkways and prohibiting vehicle access. They are weather-resistant, which makes them useful for long-term outdoor use.

## Typical details of a Steel Bollard

Steel Bollards can be inserted into the ground with a minimum of 100mm to 150mm or they can be bolted using baseplates according to the bollard size.

NMG provides steel bollards with best material finish to suit the weather conditions and structural rigidity. With extended horizontal pipe with similar size of bollard, NMG possess the ability to manufacture wall guards as well.





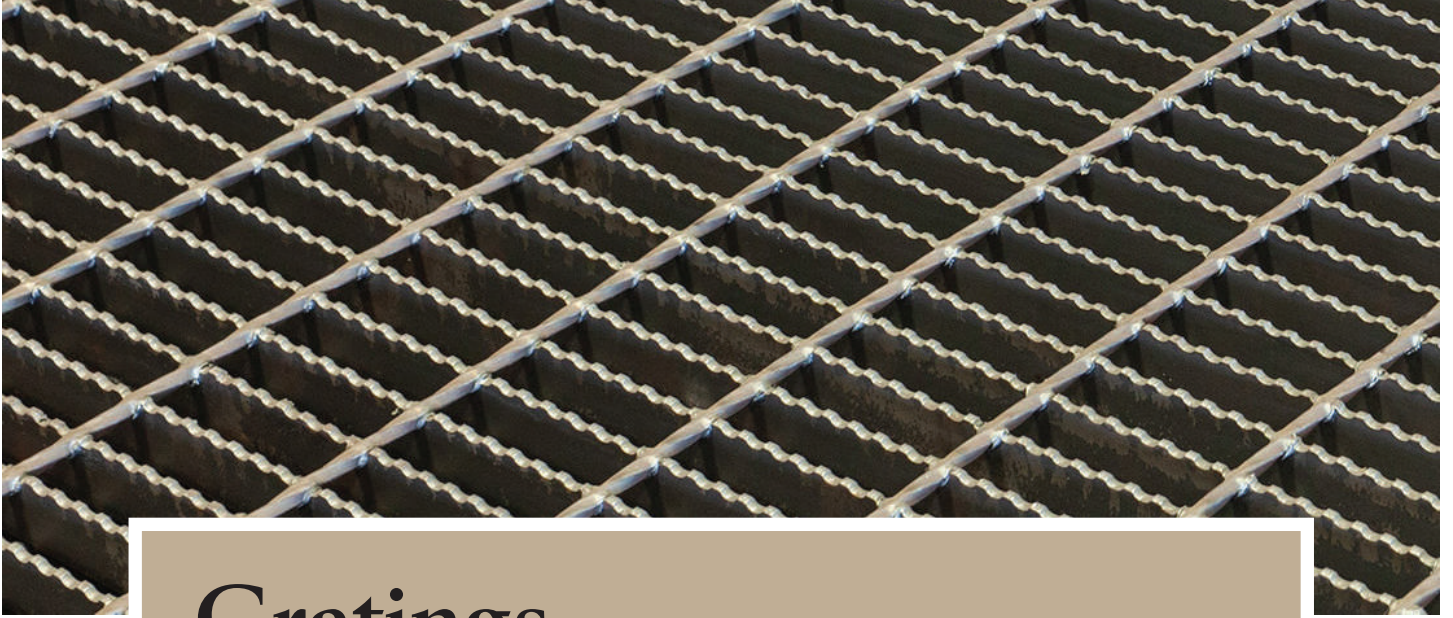


# Gates & Fences

NMG posses the ability to produce custom size GATES and FENCES with steel tubes and pipes







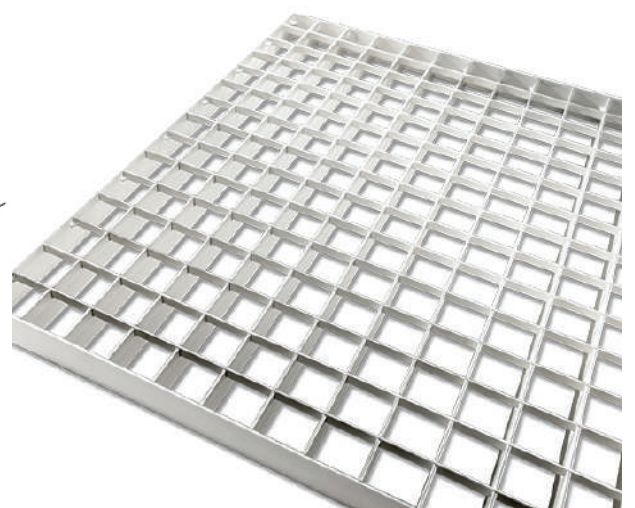
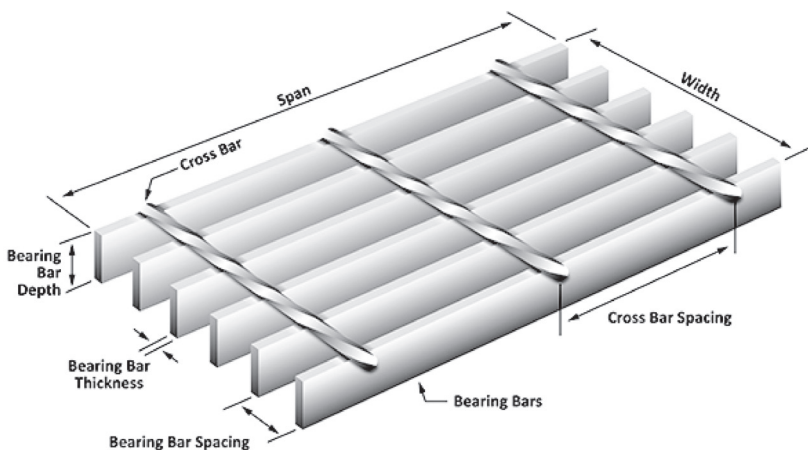
# Gratings

Steel Gratings is an open grid assembly of metal bars, in which the bearing bars, running in one direction, are spaced by rigid attachment to cross bars running perpendicular to them.

Gratings can be fabricated in steel, cast iron, stainless steel, and galvanized steel depending upon the requirement where it is applied. Specific Steel grating can be used for many applications, such as walkways, ladder steps, drains, and ventilations.

There are a few important aspects to consider at the time of fabrication.

1. Bearing bar size
2. Cross bar size
3. Twisted rod size
4. Bearing bar spacing
5. Cross bar spacing





NMIC is fully committed to a quality policy which ensures delivery of its products and services “defect free on time”. NMIC provides quality management, co-ordination, production and processing, manufacture, and installation services throughout KSA and sometimes outside KSA. Since the establishment, NMIC is primarily engaged in providing Architectural Engineering solutions in the market and aims to achieve a high standard of production and trading services.

- NMIC possess the policy to:
- Manufacture and supply products which fully confirm to the customer’s requirements, relating to quality, reliability, and delivery.
- Use the company’s considerable experience and knowledge in the production of standard products to assist customers in the cost-effective design and development of both existing and new products.
- Ensure that suppliers of raw materials, goods and services confirm to all requirements and are of a consistently high quality, to enable the company to achieve its commitments to all customers.
- Recognize that the responsibility for quality lies with all employees of the company and hence to stimulate and encourage interest and pride in their work.
- Hold frequent Quality Management System review meetings to enable continual review of the suitability of the Quality policy and all aspects of the Quality Management System.

These requirements of Quality Policies are compared to the requirements of ISO 9001:2015- Quality Policy. NMIC strives to eliminate



Accredited to the following Standards





# NMG NIPRAS METAL GROUP



NIPRAS METAL CONTRACTING



NIPRAS METAL INDUSTRY Co.



NIPRAS METAL TRADING



# NSF PRODUCTS

**NMG** NIPRAS  
METAL GROUP



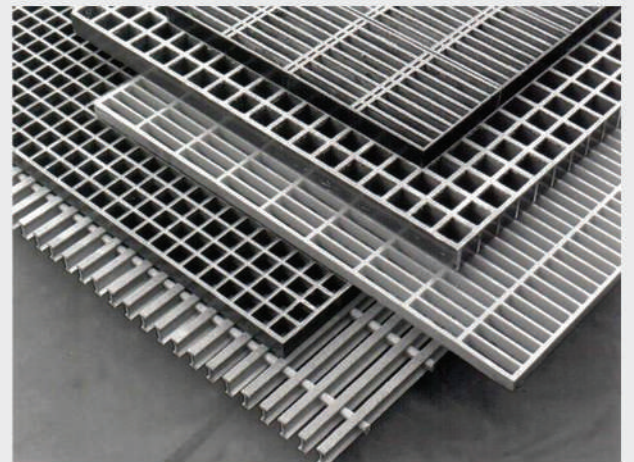
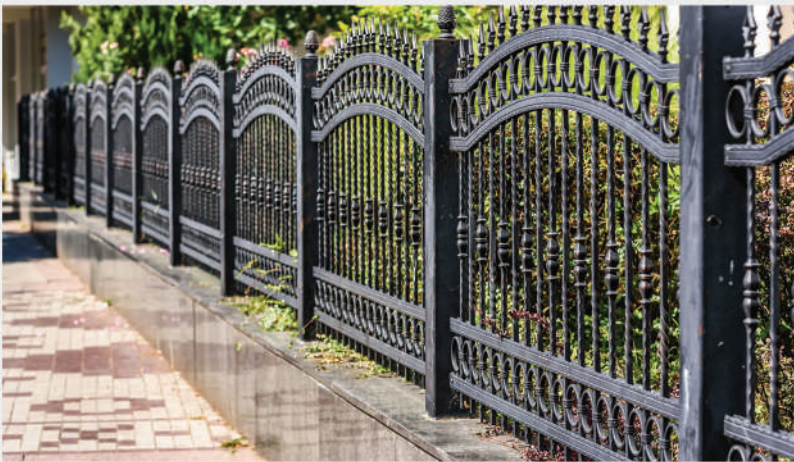
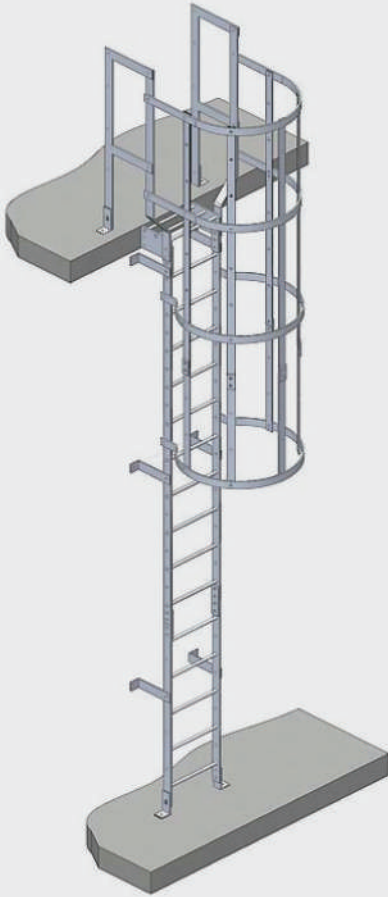
**NMIC**



**NMTC**



**NMC**



Tel. +966 56 880 5050  
P.O. Box: 236300  
Riyadh 11332 KSA



info@nipras.sa  
www.nipras.sa